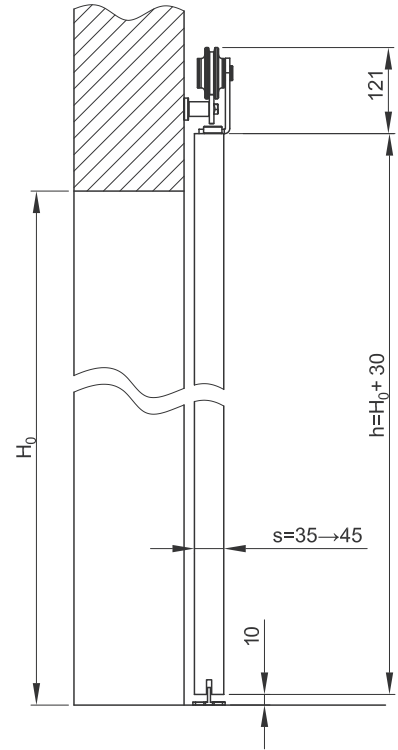
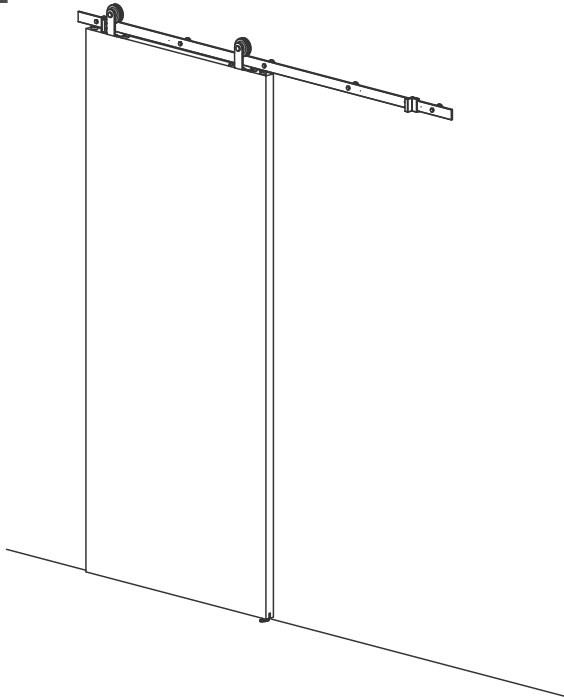
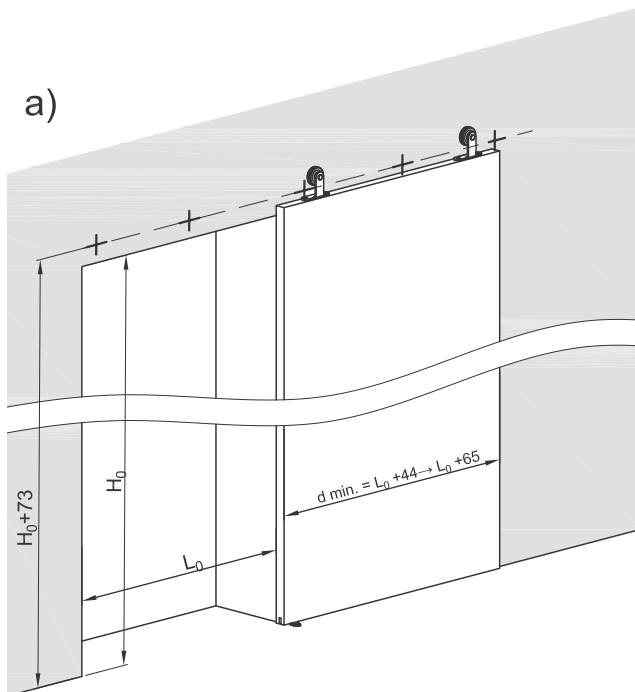


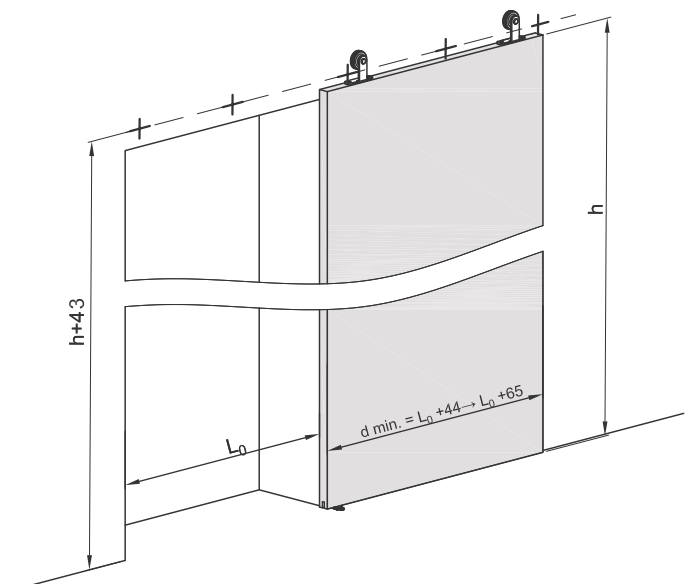
1

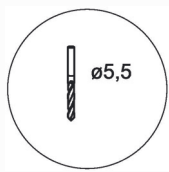


a)

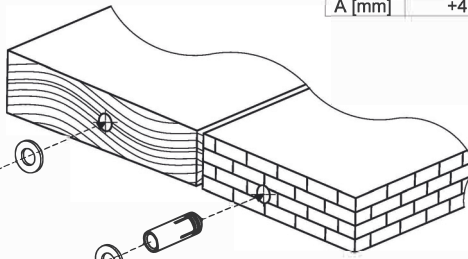


b)

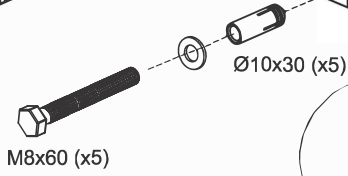




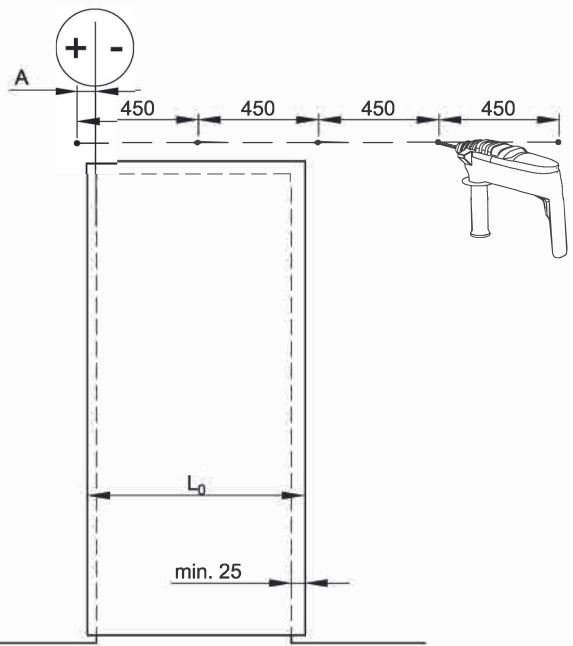
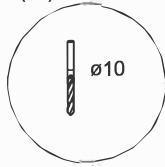
St 8x90 (x5)



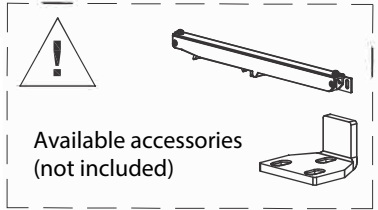
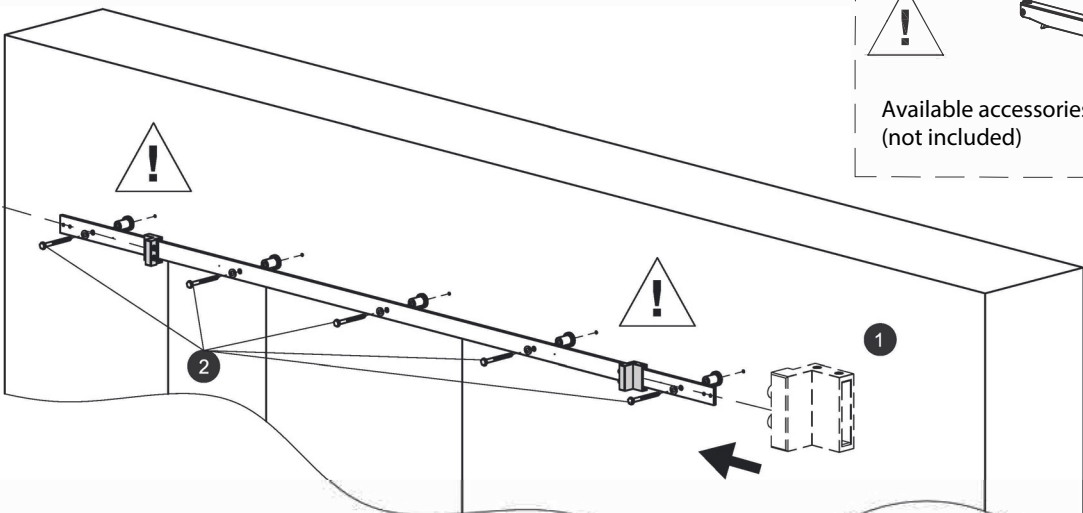
L_0 [mm]	$800 \leq L_0 < 900$	≥ 900
A [mm]	+40	-25



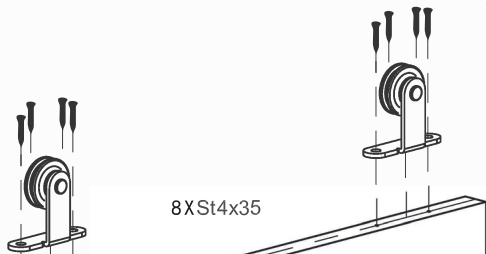
M8x60 (x5)



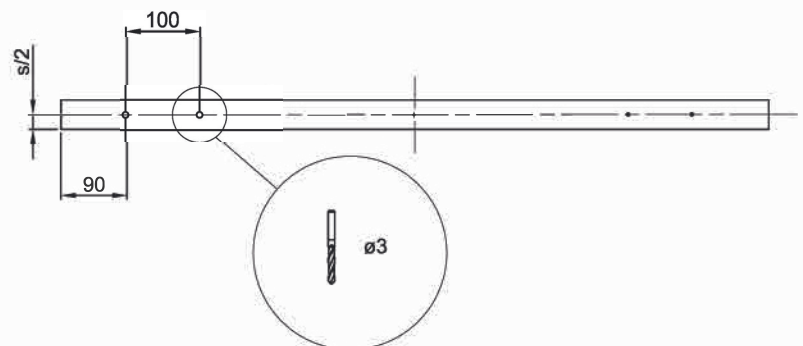
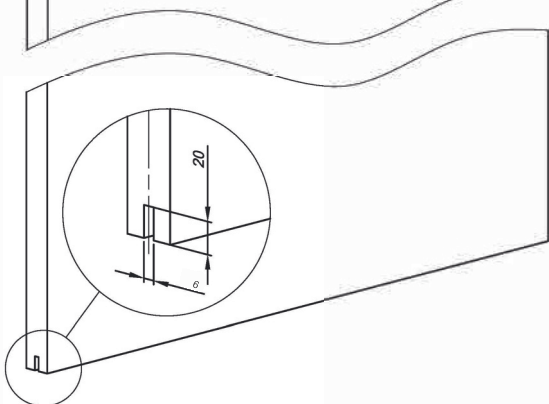
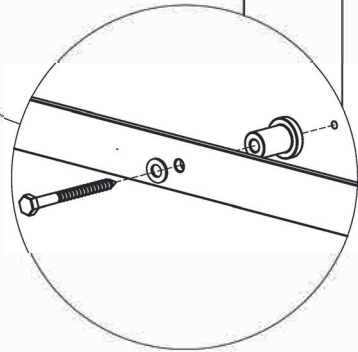
2



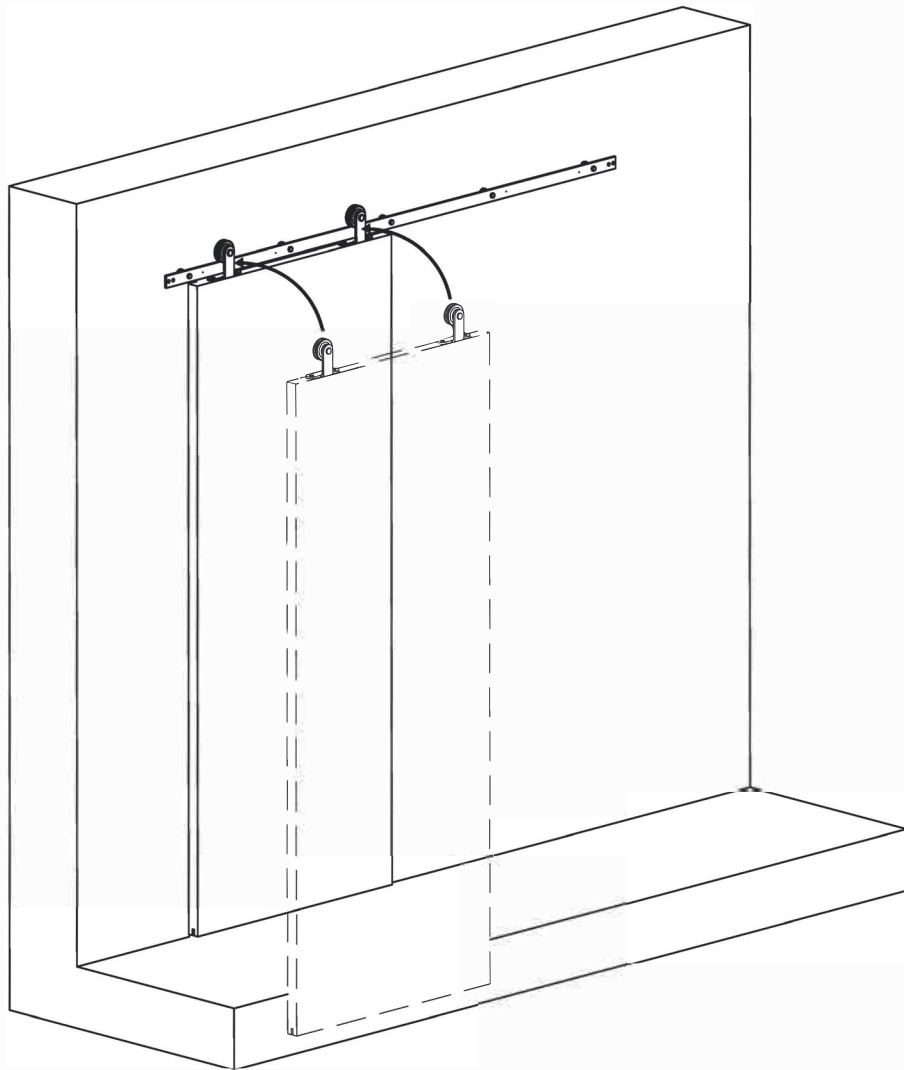
3



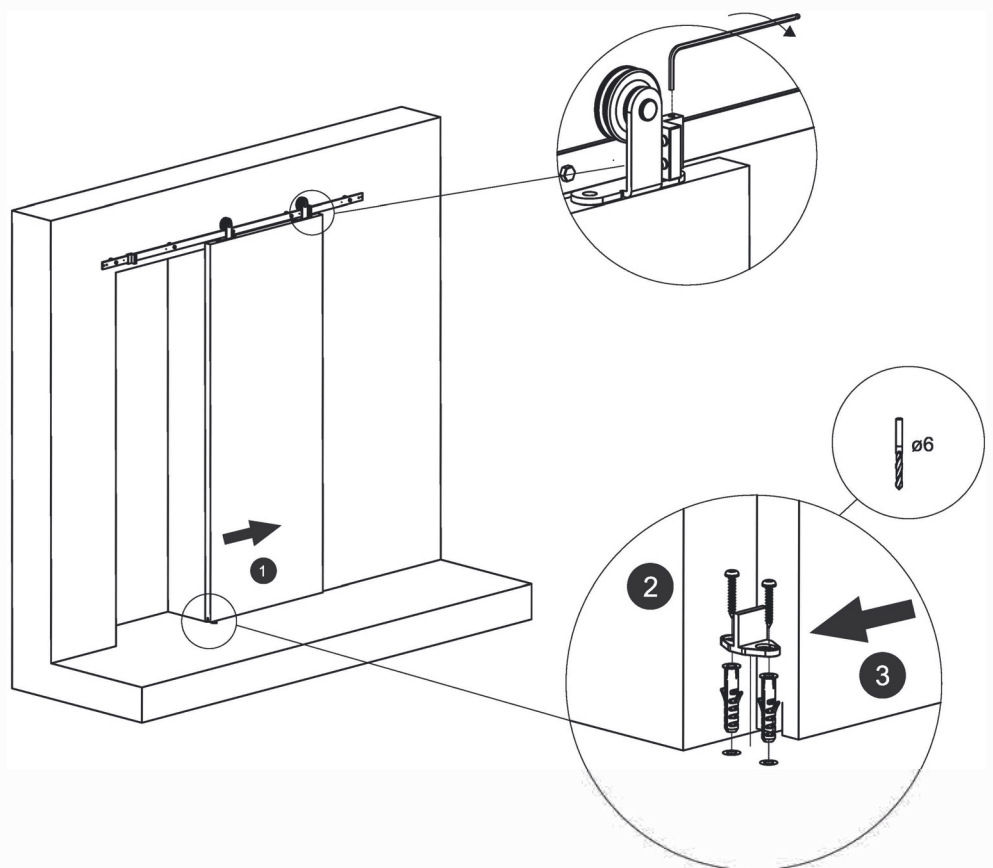
8XSt4x35



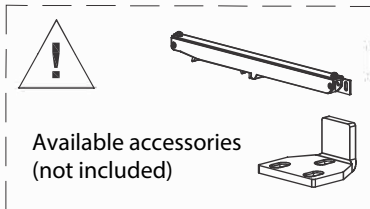
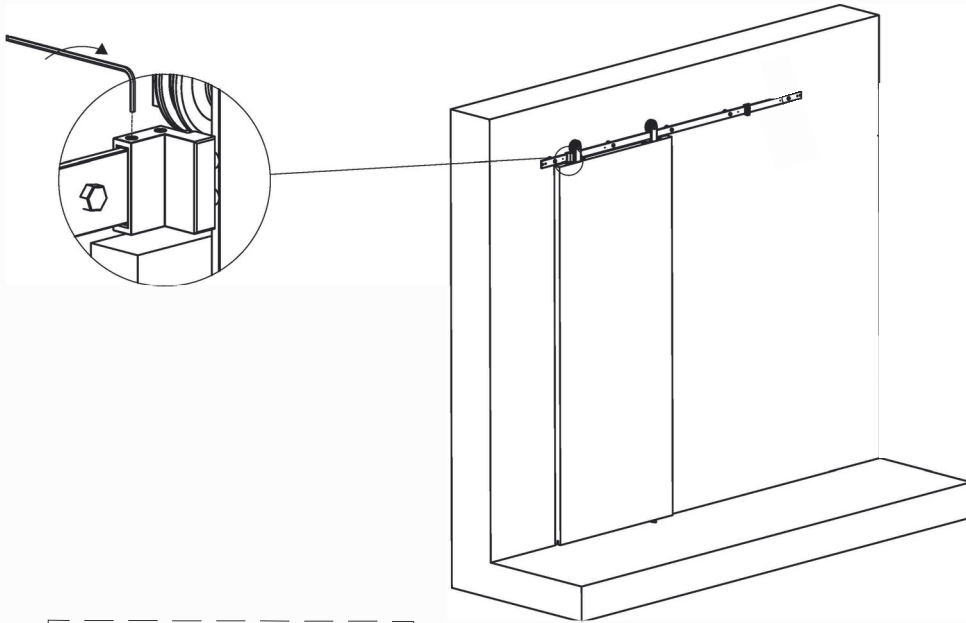
4



5



6



7

